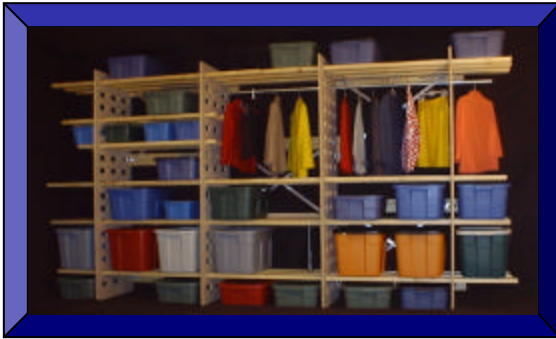


# Configuration Ideas

If you have any ideas that you would like to share, please send pictures to [Ideas@StoreAllShelving.com](mailto:Ideas@StoreAllShelving.com).



# STORE ALL SHELVING™

## Assembly Instructions

[www.StoreAllShelving.com](http://www.StoreAllShelving.com)

---

### Tool Required

- 9/16" or 14mm wrench

---

### CAUTION

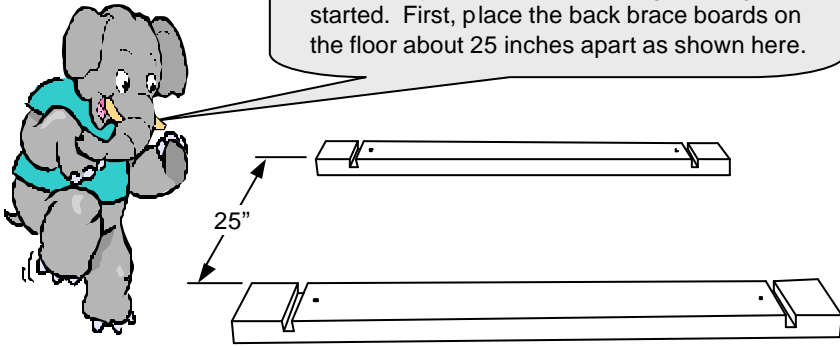
- Read all instructions before using shelving
- Failure to follow these guidelines may result in personal injury or property damage
- Inspect all shelving components for damage before use
- Do not use damaged shelving
- Do not store items that may fall from shelves and cause injury
- Place heaviest items on bottom shelves and between risers
- Use proper lifting techniques when lifting items onto shelves
- Do not step, stand, or climb on shelving
- If tipping forces are possible, secure shelving to wall
- Shelving boards must extend a minimum of 3½" and a maximum of 18" beyond the riser
- Load must be evenly distributed
- For 2x4 shelving:
  - Do not exceed 30 lbs per square foot for 3 foot span
  - Do not exceed 15 lbs per square foot for 6 foot span
  - Do not exceed 10 lbs per square foot for 9 foot span
- For 1x4 shelving, load rating is one half of 2x4 shelving
- Do not exceed 1000 lbs per riser
- Do not exceed load rating of supporting floor
- For indoor use only
- Periodically inspect that fasteners are secure, shelving is properly positioned, and shelves are structurally sound

---

If you have any questions or comments, please contact us at [CustomerService@StoreAllShelving.com](mailto:CustomerService@StoreAllShelving.com).

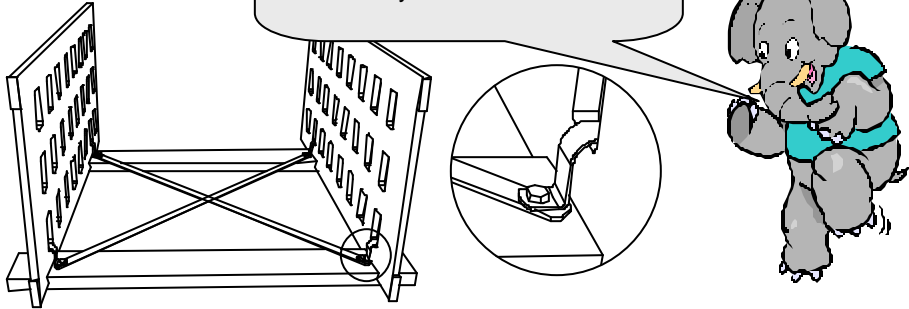
1

Hi! I'm Willie and I'm going to help you assemble your Store All Shelving. Let's get started. First, place the back brace boards on the floor about 25 inches apart as shown here.



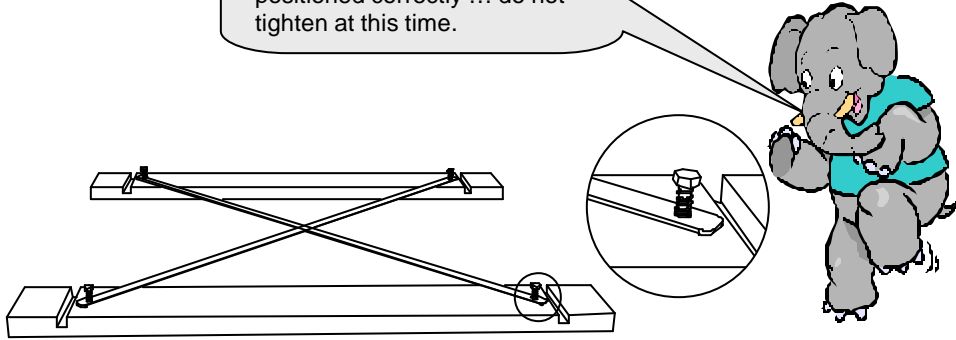
4

We're almost finished with the assembly! Just install the clamps as shown here and tighten the bolts with your wrench.



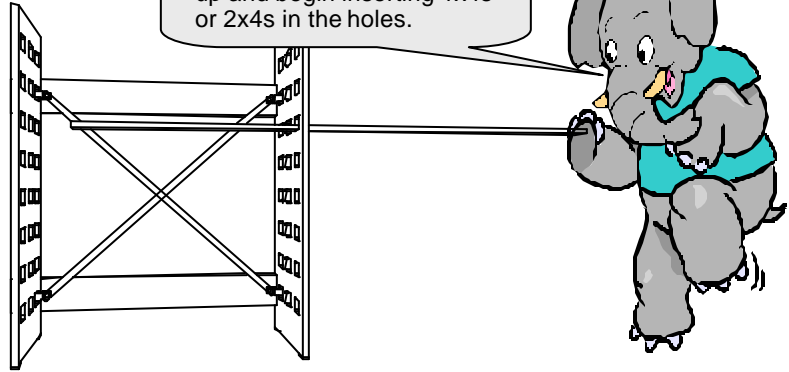
2

Install "X" Brace and insert 3/8" bolts to keep the brace positioned correctly ... do not tighten at this time.



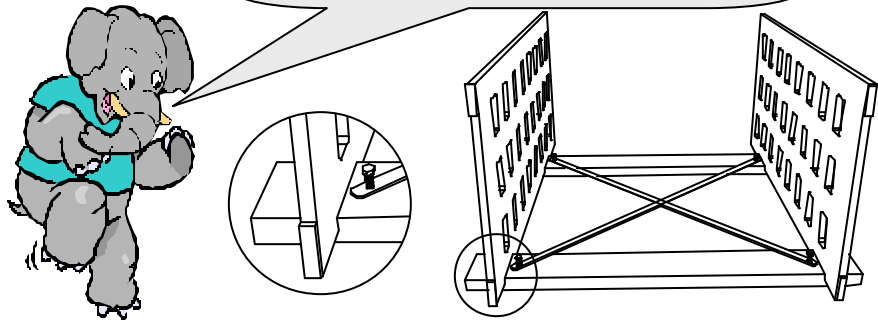
5

Now, just stand the shelves up and begin inserting 1x4s or 2x4s in the holes.



3

Position risers into the slots aligning the riser holes with the bolts as shown here. Please note riser feet are positioned at same end.



6

Before you know it, you are ready to store your "stuff." Please see the back cover or visit [www.StoreAllShelving.com](http://www.StoreAllShelving.com) for ideas of various configurations. Thank you very much for purchasing Store All Shelving and please contact us if you have any questions, comments or would like to share your ideas.

